

FINNED TUBE AIR HEATERS WDH RVS (WD-L RVS)

Stainless steel finned tube heaters are designed for industrial application. The heaters are suitable for use in corrosive areas such as: filling stations, water purification installations or storage areas.

The fin material is made of stainless steel (AISI 409). Proofing IP66/IP67.

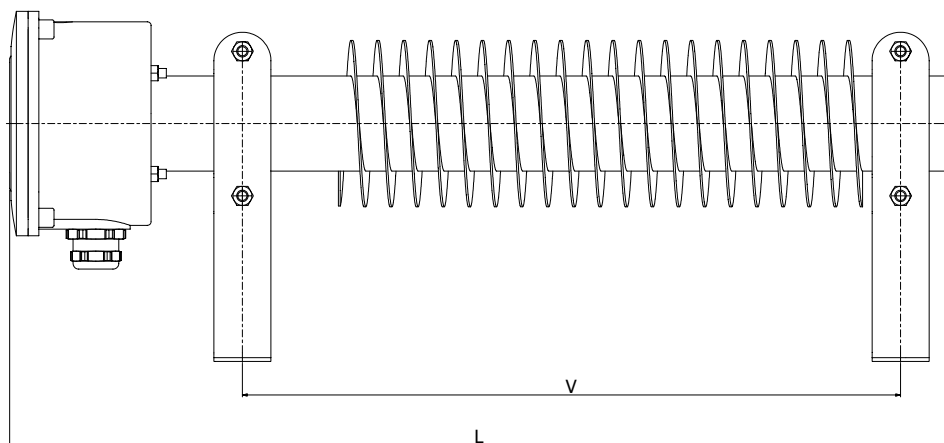
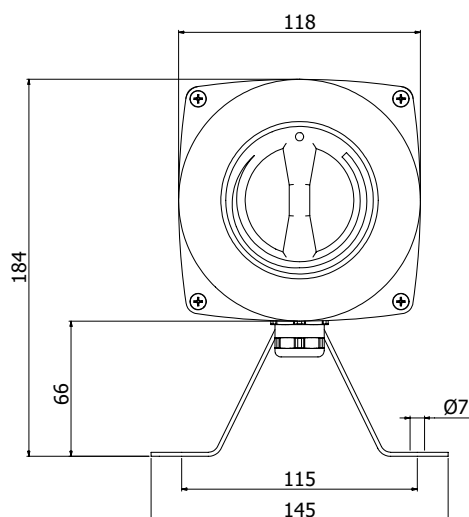
Type TR is supplied with built-up thermostat, adjustable between +5°C to +30°C.
Type ST is supplied with built-up step-controller: 1/3, 1/2 and full power.



WD-H RVS TR (incl. thermostat)



WD-H RVS (excl. thermostat)



FINNED TUBE AIR HEATERS WDH RVS (WD-L RVS)

Type	Power	Voltage	Length (L)	Support-support (V)	Article number
WD-H RVS 250	250 Watt	230 Volt	350 mm	230 mm	A021 310 250
WD-H RVS 500	500 Watt	230 Volt	500 mm	365 mm	A021 310 500
WD-H RVS 1000	1000 Watt	230 Volt*	700 mm	565 mm	A021 311 000
WD-H RVS 1500	1500 Watt	230 Volt*	900 mm	765 mm	A021 311 500
WD-H RVS 2000	2000 Watt	230 Volt*	1100 mm	965 mm	A021 312 000
WD-H RVS 3000	3000 Watt	230 Volt*	1500 mm	1365 mm	A021 313 000
WD-H RVS TR 250	250 Watt	230 Volt	350 mm	230 mm	A021 310 250T
WD-H RVS TR 500	500 Watt	230 Volt	500 mm	365 mm	A021 310 500T
WD-H RVS TR 1000	1000 Watt	230 Volt	700 mm	565 mm	A021 311 000T
WD-H RVS TR 1500	1500 Watt	230 Volt	900 mm	765 mm	A021 311 500T
WD-H RVS TR 2000	2000 Watt	230 Volt	1100 mm	965 mm	A021 312 000T
WD-H RVS TR 3000	3000 Watt	230 Volt	1500 mm	1365 mm	A021 313 000T
WD-H RVS ST 1000	1000 Watt	230 Volt	700 mm	565 mm	A021 311 001
WD-H RVS ST 1500	1500 Watt	230 Volt	900 mm	765 mm	A021 315 001
WD-H RVS ST 2000	2000 Watt	230 Volt	1100 mm	965 mm	A021 312 001
WD-H RVS ST 3000	3000 Watt	230 Volt	1500 mm	1365 mm	A021 313 001
WD-L RVS 400	400 Watt	230 Volt	1100 mm	965 mm	A021 310 402
WD-L RVS 600	600 Watt	230 Volt	1500 mm	1365 mm	A021 310 602
WD-L RVS 800	800 Watt	230 Volt	1900 mm	1765 mm	A021 310 802
WD-L RVS 1000	1000 Watt	230 Volt	2300 mm	2165 mm	A021 311 002
WD-L RVS 1200	1200 Watt	230 Volt	2700 mm	2565 mm	A021 311 202
WD-L RVS TR 400	400 Watt	230 Volt	1100 mm	965 mm	A021 310 402T
WD-L RVS TR 600	600 Watt	230 Volt	1500 mm	1365 mm	A021 310 602T
WD-L RVS TR 800	800 Watt	230 Volt	1900 mm	1765 mm	A021 310 802T
WD-L RVS TR 1000	1000 Watt	230 Volt	2300 mm	2165 mm	A021 311 002T
WD-L RVS TR 1200	1200 Watt	230 Volt	2700 mm	2565 mm	A021 311 202T

* Also available in 400 Volts

Options for finned tube heaters type WD-H RVS

Protection grid of aluminium perforated plate		
Type	Suitable for:	Article number
BS 500	WD-H RVS TR/ST 500	A021 00 500
BS 1000	WD-H RVS TR/ST 1000	A021 01 000
BS 1500	WD-H RVS TR/ST 1500	A021 01 500
BS 2000	WD-H RVS TR/ST 2000	A021 02 000
BS 3000	WD-H RVS TR/ST 3000	A021 03 000