



SPI-73

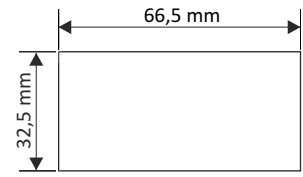
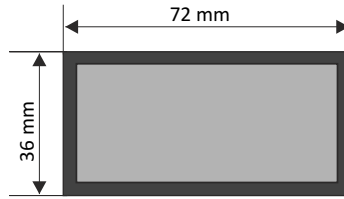
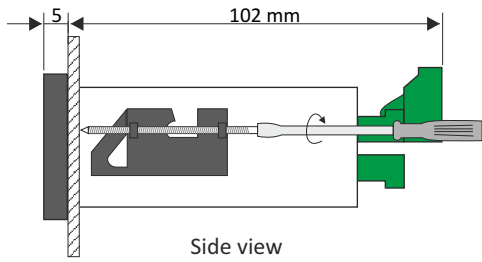
- flow meter, totalizer
- 1 pulse counting input
- 1 REL / OC output
- power supply output: 24V DC
- RS-485 / Modbus RTU
- display of instantaneous and the total flow values
- ACCESS option - easy threshold modification
- free configuration software S-Config

The **SPI-73** flow counters are designed to work together with flow transducers equipped with contact or electronic inputs. The purpose of flow counters is to measure the instantaneous flow value and to record the total flow of media like liquids, gases or loose materials. A wide range of total flow indication (up to 16 digits) allows controlling the flow value for a long operation time. The REL / OC control output can be programmed depending on the instantaneous flow value, batcher or total flow value. The counter can be configured with the local keyboard or free S-Config software via the RS-485 communication port.

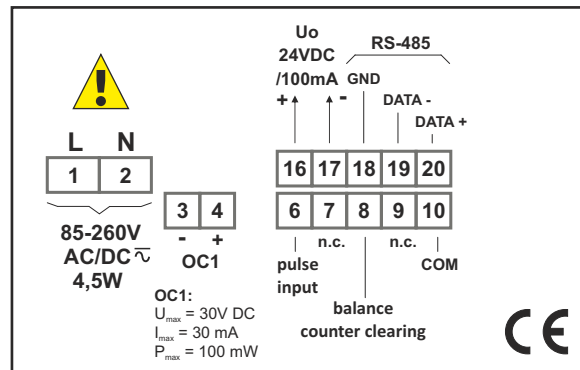
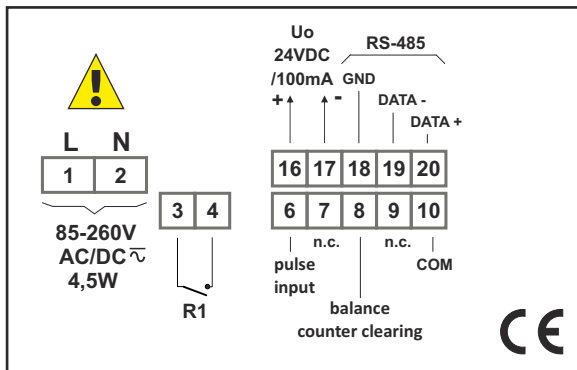
TECHNICAL DATA

Power supply	19V ÷ 50V DC; 16V ÷ 35V AC or 85 ÷ 260V AC/DC, all separated
Power consumption	for 85 ÷ 260V AC/DC and 16V ÷ 35V AC power supply: max. 4,5 VA; for 19V ÷ 50V DC power supply: max. 4,5 W
Display	LED, 6 x 9 mm high, red, brightness adjustable in 8 steps
Displayed values range	0 ÷ 999999 + decimal point
Inputs	pulse, fully isolated: - counting input with denouncing filter and pulse width control, max. input frequency 10.0 kHz - zeroing of total counter, active edge or level - common
Input levels	low level: 0 V ÷ 1 V; high level: 10 V ÷ 30 V (about 12 mA @ 24V)
Accuracy	frequency: ± 0.02% (full temperature range); flow: equivalent to used flow sensor precision
Counter capacity	total flow: over 4 x 10 ⁹ m ³ (max. 16 significant digits)
Readout precision	instantaneous flow values: selected in the 0 ÷ 0.00000 of unit; total flow: selected in the 0 ÷ 0.000 of unit
Units	instantaneous flow values: l or m ³ per second, minute or hour; total flow and batcher: l or m ³
Pulse waiting time	settable from 0,1 to 39,9 seconds
Binary outputs	1 x REL I _{max} =1A, U _{max} =30VDC/250VAC (cosφ=1) or OC I _{max} =30mA, U _{max} =30VDC, P _{max} =100mW
Power supply output	24V DC +5%, -10% / max. 100 mA, stabilized
Communication interface	RS-485, 8N1 and 8N2, 1200 bit/s ÷ 115200 bit/s, Modbus RTU (not galvanically isolated)
Data memory	non-volatile memory, EEPROM type
Operating temperature	0°C ÷ +50°C (standard), -20°C ÷ +50°C (option)
Storage temperature	-10°C ÷ +70°C (standard), -20°C ÷ +70°C (depending on option)
Protection class	IP 65 (front), available additional frame IP 65 for panel cut-out sealing; IP 20 (case and connection clips)
Case	panel mounting; material: NORYL - GFN2S E1
Dimensions	case (WxHxD): 72 x 36 x 97 mm panel cut-out dimensions: 66,5 x 32,5 mm installation depth: min. 102 mm board thickness: standard 7 mm or other depending on used board thickness brackets (see Accessories)
Weight	160 g max.

DIMENSIONS



EXAMPLARY PIN ASSIGNMENT



ORDERING

SPI-73-141X-1-X-XX1

options:

- 00 : no options
- 01 : IP 67 frame
- 08 : operating temp. -20°C ÷ +50°C
- 0P : IP 67 frame + operating temp. -20°C ÷ +50°C

power supply:

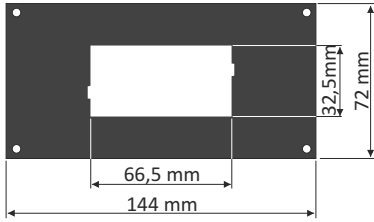
- 3 : 24V AC/DC
- 4 : 85V - 260V AC/DC

type of outputs:

- 1 : REL
- 2 : OC



MOUNTING PLATES



SMP-147/73
maskownica 144 x 72 mm
do montażu urządzeń
w obudowie 72 x 36 mm

BOARD THICKNESS BRACKETS / ADAPTORS



SPH-07
1 ÷ 7 mm board thickness
brackets (2 pcs)
standard included with device

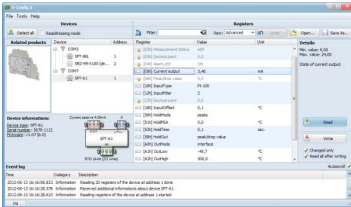


SPH-05
1 ÷ 5 mm board thickness
brackets (2 pcs)



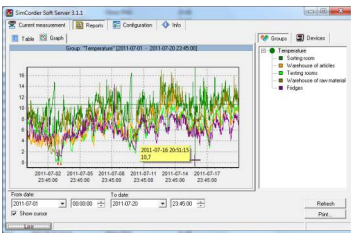
SPH-45
1 ÷ 45 mm board thickness
brackets (2 pcs)

SOFTWARE



S-Config 2 is used for the simultaneous detection of devices in multiple Modbus RTU networks and allows user to change the configuration of most of them. For each detected device a list of its registers, which the user can modify, is displayed and also additional informations about device parameters (type, address in the network, etc.).

S-Config software can be downloaded from SIMEX website at www.simex.pl



SimCorder Soft is a visualisation application created to facilitate work with advanced networks of the SIMEX devices, for acquisition, visualisation, reporting, archiving, exporting and printing of measurement data from all network devices. You can download measurements from the devices automatically or on demand. There is a possibility of immediate notification about emergency states via SMS or e-mail, which will often allow to quickly resolve an arising problem while avoiding long and expensive stoppages. You can view the measurement data, emergency states and configuration via the internet at every time.

CONVERTERS



The **SRS-U4** converter is designed to connect a USB host to slave devices equipped with RS-485 interface. The PC with special software can be used as a host. The **SRS-U4** unit guarantees full galvanic isolation between USB and RS-485 circuits. The converter can work with any devices equipped with RS-485 interface and contains integrated circuit which supports USB 1.1 and USB 2.0 standards. The main purpose is connection of PC host computer with industrial data acquisition and visualisation systems based on RS-485 interface.

The **SRS-U4** can be also manufactured with DIN mounting adaptor.