



SLIK-94

- universal counter with batching function
- 2 pulse counting inputs
- 1 programmable function input
- 4 counter reset sources
- 0, 2 or 4 REL / OC outputs
- prescaler and digital filter
- RS-485 / Modbus RTU
- free configuration software S-Config

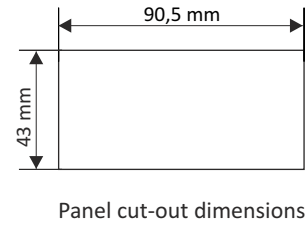
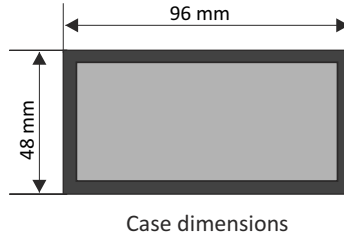
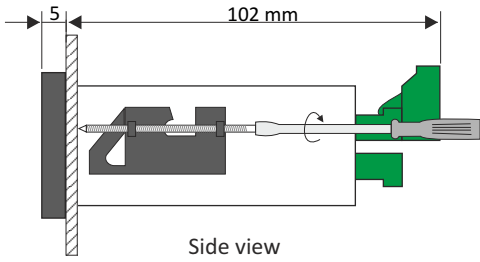
Universal programmable counter type **SLIK-94** is equipped with many modern features required in simple and advanced automatic control systems. Two counting inputs (pulse inputs) can operate in few different modes (as two independent pulse inputs or single quadrature input). Additional programmable input can change basic function of counting inputs (addition or subtraction of pulses from inputs, change the direction of counting) or to stop counting without clearing. Build in RS-485 communication interface enables controlling of all settings by host, and allows use of unit in advanced network systems. **SLIK-94** is equipped with independent clearing input. The device can be equipped with one relay (or OC type) output with independent threshold, which can be used to control external devices. The counter can be configured with the local keyboard or free S-Config software via the RS-485 communication port.

TECHNICAL DATA

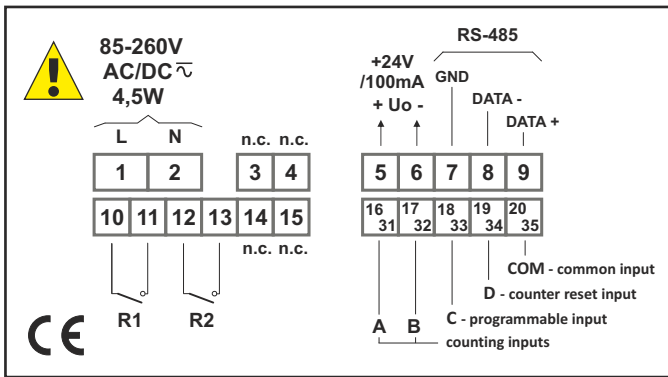
Power supply	19V ÷ 50V DC; 16V ÷ 35V AC or 85 ÷ 260V AC/DC, all separated
Power consumption	for 85 ÷ 260V AC/DC and 16V ÷ 35V AC power supply: max. 4,5 VA; for 19V ÷ 50V DC power supply: max. 4,5 W
Display	LED, 6 x 13 mm high, red, brightness adjustable in 8 steps
Displayed values range	-99999 ÷ 999999 + decimal point, with signalling of overfilling
Inputs	pulse, galvanically isolated: - counting: down-up and up-down or quadrature - programmable function - counter reset - common
Input levels	low level: 0 V ÷ 1 V; high level: 10 V ÷ 30 V (12 mA @ 24V)
Input frequency	electronic sensor: 10 kHz / 5 kHz (for quadrature) contact sensor: max. 90 Hz (adjustable filter)
Binary outputs	0, 2 or 4 x REL $I_{max}=1A$, $U_{max}=30VDC/250VAC$ ($\cos\phi=1$) or OC $I_{max}=30mA$, $U_{max}=30VDC$, $P_{max}=100mW$
Power supply output	24V DC +5%, -10% / max. 100 mA, stabilized
Communication interface	RS-485, 8N1 and 8N2, 1200 bit/s ÷ 115200 bit/s, Modbus RTU (not galvanically isolated)
Data memory	non-volatile memory, EEPROM type
Operating temperature	0°C ÷ +50°C (standard), -20°C ÷ +50°C (option)
Storage temperature	-10°C ÷ +70°C (standard), -20°C ÷ +70°C (depending on option)
Protection class	IP 65 (front), available additional frame IP 65 for panel cut-out sealing; IP 20 (case and connection clips)
Case	panel mounting; material: NORYL - GFN2S E1
Dimensions	case (WxHxD): 96 x 48 x 100 mm panel cut-out dimensions: 90,5 x 43 mm installation depth: min. 102 mm board thickness: standard 7 mm or other depending on used board thickness brackets (see Accessories)
Weight	230 g max.



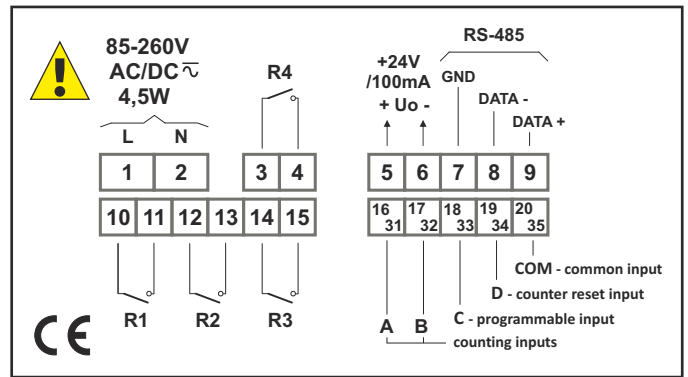
DIMENSIONS



EXAMPLARY PIN ASSIGNMENT



version with 2 x REL



version with 4 x REL

ORDERING

SLIK-94-15XX-1-X-XX1

number of outputs:

- 0
- 2
- 4

type of outputs:

- 0 : no output
- 1 : REL
- 2 : OC

options:

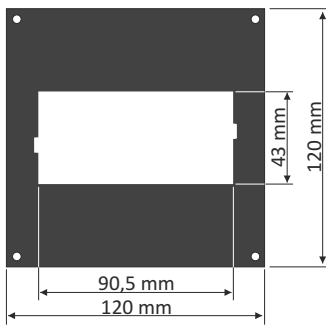
- 00 : no options
- 01 : IP 65 frame
- 08 : operating temp. -20°C ÷ +50°C
- 0P : IP 65 frame + operating temp. -20°C ÷ +50°C

power supply:

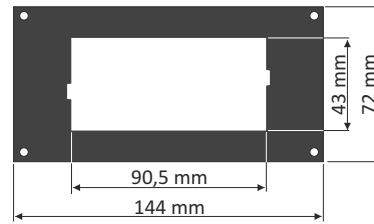
- 3 : 24V AC/DC
- 4 : 85V - 260V AC/DC



MOUNTING PLATES



SMP-99/94
to mount 96 x 48 mm
size unit in place
of 96 x 96 mm cut-out



SMP-147/94
to mount 96 x 48 mm
size unit in place
of 144 x 72 mm cut-out

BOARD THICKNESS BRACKETS / ADAPTORS



SPH-07
1 ÷ 7 mm board thickness
brackets (2 pcs)
standard included with device



SPH-45
1 ÷ 45 mm board thickness
brackets (2 pcs)

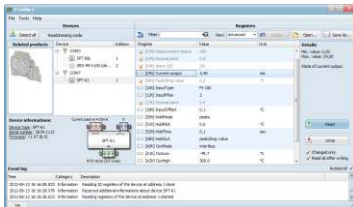


SPH-05
1 ÷ 5 mm board thickness
brackets (2 pcs)



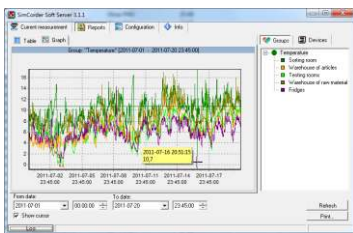
SRH-94
brackets for mounting devices
on DIN 35/7.5 or 15 rail (2 pcs)

SOFTWARE



S-Config 2 is used for the simultaneous detection of devices in multiple Modbus RTU networks and allows user to change the configuration of most of them. For each detected device a list of its registers, which the user can modify, is displayed and also additional informations about device parameters (type, address in the network, etc.).

S-Config software can be downloaded from SIMEX website at www.simex.pl



SimCorder Soft is a visualisation application created to facilitate work with advanced networks of the SIMEX devices, for acquisition, visualisation, reporting, archiving, exporting and printing of measurement data from all network devices. You can download measurements from the devices automatically or on demand. There is a possibility of immediate notification about emergency states via SMS or e-mail, which will often allow to quickly resolve an arising problem while avoiding long and expensive stoppages. You can view the measurement data, emergency states and configuration via the internet at every time.

CONVERTERS



The **SRS-U4** converter is designed to connect a USB host to slave devices equipped with RS-485 interface. The PC with special software can be used as a host. The **SRS-U4** unit guarantees full galvanic isolation between USB and RS-485 circuits. The converter can work with any devices equipped with RS-485 interface and contains integrated circuit which supports USB 1.1 and USB 2.0 standards. The main purpose is connection of PC host computer with industrial data acquisition and visualisation systems based on RS-485 interface.

The **SRS-U4** can be also manufactured with DIN mounting adaptor.