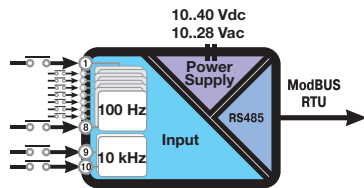




Z-10-D-IN

10-CH DIGITAL INPUT MODULE / RS485 MODBUS RTU



Z-10-D-IN is a 10 digital inputs with self-powered 16V DC shared negative pole. Z-10-D-IN has 8 built-in inputs with 16 bit contactor with 100 Hz max. frequency and 2 inputs with 32 bit contactor with 10 kHz max. frequency. At 10 kHz Z-10-D-IN assures frequency measurement. For 100 Hz input the module measures period, frequency and TON, TOFF. The module offers possibility to set total counters for forward or backward counting. Z-10-D-IN gives also overflow indication for each total counter.

TECHNICAL SPECIFICATIONS

Electrical Specifications

| | |
|-------------------|--|
| Power supply | 10..40 Vdc / 19..28 Vac / 50-60 Hz |
| Power consumption | 1,5 W |
| Isolation | 1.500 Vac (3 way) |
| Status Indicators | Power supply, Fail, RX, TX |
| Protection Degree | IP20 |
| Input protection | 600 W/ms transient current suppressors |

Thermomechanical Specifications

| | |
|-----------------------|--|
| Operating Temperature | -10..+65 °C |
| Dimension (W x H x D) | 17.5 x 100 x 112 mm |
| Weight | About 140 g |
| Enclosure | PBT, black |
| Connections | Removable 3-way crew terminals, 3.5 pitch Rear IDC10 connector for Z-PC backplane |
| Mounting | 35 mm DIN rail guide |

Communication

| | |
|--------------|------------------|
| Interface | 2 wire RS485 |
| Speed | Up to 57.600 bps |
| Protocol | ModBUS RTU slave |
| Distance | Up to 1.200 m |
| Connectivity | Max 32 nodes |

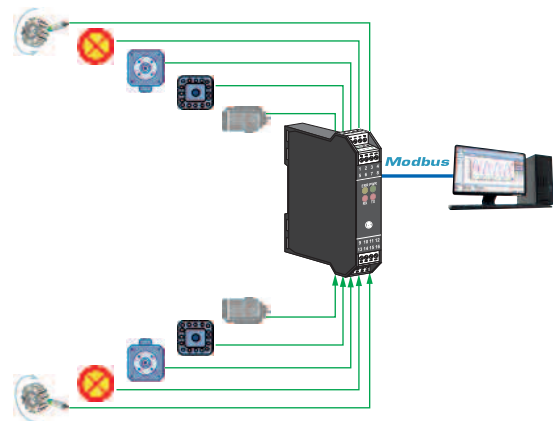
Signals

| | |
|-----------------|--|
| Channel Numbers | 10, self powered 16 Vdc shared negative pole |
| Type | Reed, contact sensors, proximity, pnp, npn Nr 2 inputs - 32 bit counters @ 10 kHz Nr 8 inputs - 16 bit counters @ 100 Hz Absorbed current: 3 mA (per input) Min pulse width: 4 ms..50 µs |

Configuration

| | |
|--------------|--|
| DIP switches | Baud rate, address, inversion scale, digital filter, totalizers, Modbus latency time |
| Software | Z-NET3 (lec 61131) EASY Z-10-D-IN (plug&play) |
| Standard | |
| Approval | CE, RINA, UL UR CSA |
| Norms | EN 61000-6-4; EN 61000-6-2; EN 61010 |

APPLICATION NOTE



ORDER CODES

| Code | Description |
|-----------|---|
| Z-10-D-IN | 5-CH Digital input module / RS485 ModBUS RTU, 10..40 Vdc / 19..28 Vac |

ACCESSORIES & SOFTWARE

| | | | |
|--|---|--|---|
| | | | |
| Z-PC-DIN Backplane for power & bus communication | Z-SUPPLY Switching power supply | Z-NET IEC 61331 programming software | EASY SETUP Plug&Play configuration software |

SIMILAR PRODUCTS

| | | | |
|--|---|---|--|
| | | | |
| Z-D-IN 5-CH Digital Input module / RS485 | Z-D-IO 8-CH, 6 digital input - 2 digital outputs control module | ZC-24-DI 24 CH digital input CANopen / ModBUS | ZC-16DI-8DO 16 CH digital input - 8 CH digital output CANopen / ModBUS |