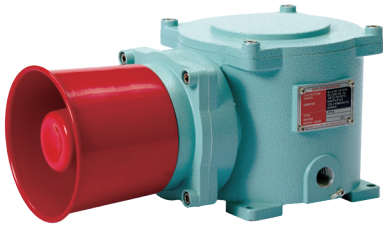


SPNA



SPNA

PRODUCT SPECIFICATION

SPNA

Materials Housing-Al, Horn housing-ST5316L

Ambient operating temperature

-20°C ≤ Tamb ≤ +60°C(TS), -40°C ≤ Tamb ≤ +60°C

-40°C ≤ Tamb ≤ +55°C(KCs)

Explosion protection rating

IECEX - Ex db IIC T6 Gb, IP66

ATEX - II 2G Ex db IIC T6 Gb, IP66

NEPSI, CCC - Ex db IIC T6 Gb, IP66

KCs - Ex d IIB+H2 IP66 T6(SPNA)

Ex db IIC T6 Gb(SPNAKC)

TS - Ex db IIC T6 IP66 Gb

Certificates IECEX, ATEX, NEPSI, KCs, CCS, CCC, TS

Sound volume Max 118dB at 1m(Volume adjustable)

Housing standard color MUNSELL No. 7.5BG 7/2

Cable entry 1/2" NPT

- Explosion proof electric horn
- Various sound tones can be selected ; warning sound, alarm, melody
- Aluminum housing provides excellent durability
- Equipped terminal box for power line wiring in housing

SPNA Max 118dB Explosion Proof Electric Horn

Model number	Voltage	Current	Sound Pattern and Volume	Certificates	Weight
SPNA	DC24V	1.022A	·WS-5 Warning sounds: Max.118dB ·WP-5 Special warning sounds : Max.118dB		6.09kg
	AC110V	0.226A	·WM-5 Melodies: Max.118dB ·WA-5 Alarms: Max.116dB		6.44kg
	AC220V	0.113A	·WV-5 Customizable voices: 110-115dB		6.44kg

※ Please refer to [Sound tone and combination for standard product] on this catalogue for detailed sound tone specification

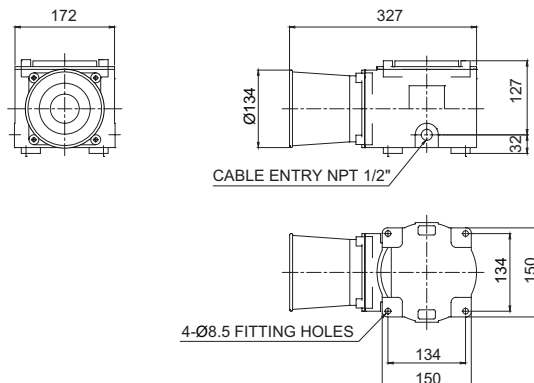
※ Max. built-in volume feature is based on WS/WP-Ch1/WM-Ch5/WA-Ch5.

※ In case of customized WV 5 tone type, there may be difference of volume depending on user's audio file type.

Technical Diagram

Units: mm

·SPNA

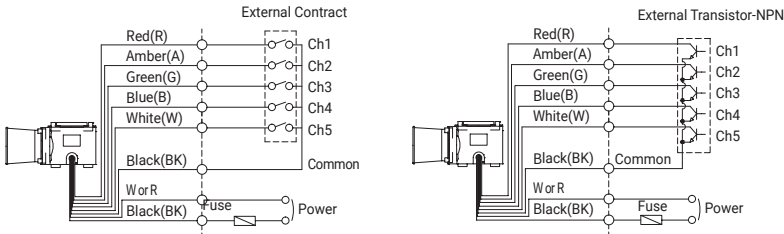




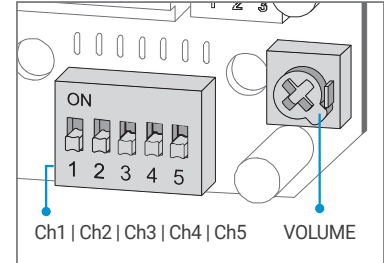
Sound Selection Instructions and Wiring

- Customization : External contact(LC)
In case of select sound between external contact and transistors, sound line is threading as customization when product released(LC).

·SPNA-DC/AC



- Standard Type: Select sound using the switch inside of the unit. When you turn on the dip switch for each channel, the designated sound will be played.



Customization

- Explosion proof cable gland attached type available (Standard type does not come with explosion proof cable gland)
- 2 ways cable entry
- Customized cable entry (3/4" NPT, M20×1.5, M25×1.5) available
- KCs certified IIC compliant products(SPNAKC)

Ordering Specification

SPNA	-	WM	-	220	-	LC	-	IECEX
[Model number]		[Sound]		[Voltage]		[Sound selection]		[Certificates]
SPNA		WS-Warning sounds WP-Special warning sounds WM-Melodies WA-Alarms WV-Customizable voices		24-DC24V 110-AC110V 220-AC220V		(blank)-Built-in switch LC-External contact		IECEX ATEX KCs CCC(NEPSI) TS