

SNES Series

Siren buzzer sound output of Max 105dB



SNESLR



SNESL

PRODUCT SPECIFICATION

SNESLR | SNESL
SNES-S | SNES

Materials Lens-Tempered glass, filter-PC, Housing-AI, Protection cage-ST316L, Reflector-PC, Reflector-Heat resistant ABS

Ambient operating temperature

-40°C ≤ Tamb ≤ +60°C

-20°C ≤ Tamb ≤ +55°C(TIIS)

Sound volume Siren buzzer, Max. 105dB at 1m

Explosion protection rating

IECEX - Ex db IIC T6 Gb, Ex db op is IIC T6 Gb(with LED)

ATEX - Ex db IIC T6 Gb, Ex db op is IIC T6 Gb (with LED)

NEPSI, CCC - Ex db IIC T6 Gb, IP66

KCs - Ex d IIB+H2 T6 IP66

TIIS - Ex d IIC T6 Gb, IP66

Certificates

IECEX, ATEX, NEPSI, CCC, KCs, CCS, CCC(F), TIIS

Housing standard color MUNSSELL No. 7.5BG 7/2

- Light weight and compact explosion proof warning lights with a siren buzzer
- A variety of light source selections from bulb, LED, and xenon lamp
- Fully enclosed structure with protection rating of IP66
- Integrated housing and terminal box model

SNESLR LED Revolving Warning Light with Siren Buzzer

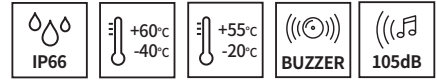
Model number	Voltage	Current	Sound Pattern and Volume	Certificates	Weight	Color
SNESLR	DC12V	0.485A	· Warning sound(Buzzer) : 105dB		3.60kg	<ul style="list-style-type: none"> ● R-Red ● A-Amber ● G-Green ● B-Blue
	DC24V	0.411A			3.60kg	
	AC110V	0.411A			4.30kg	
	AC220V	0.055A			4.30kg	

- Excellent omni-directional visibility with LED light collecting system and special multifaceted reflector
- Revolving speed: 120-140RPM

SNESL LED Steady/ Flashing Signal Light with Siren Buzzer

Model number	Voltage	Current	Sound Pattern and Volume	Certificates	Weight	Color
SNESL	DC12V	0.432A	· Warning sound(Buzzer) : 105dB		3.65kg	<ul style="list-style-type: none"> ● R-Red ● A-Amber ● G-Green ● B-Blue
	DC24V	0.377A			3.65kg	
	AC110V	0.111A			4.30kg	
	AC220V	0.055A			4.30kg	

- Long-lasting high intensity LED light source
- Suitable for applications where bulb replacement is hard
- Built-in steady/flashing selection switch
- Flashing rate: 60-80 flashes/min



SNES-S Xenon Strobe Signal Light with Siren Buzzer

Model number	Voltage	Current	Bulb			Sound pattern/ dB	Certificates	Weight	Color
			Spec	Standard	Parts no				
SNES-S	DC12V	0.655A	200V -550V	EUB0641 -1A(G) U type	48	· Warning sound(Buzzer) : 105dB		3.60kg	● R-Red
	DC24V	0.500A						3.60kg	● A-Amber
	AC110V	0.104A						4.25kg	● G-Green
	AC220V	0.066A						4.25kg	● B-Blue

- Lamp connector fastening structure allows for convenient lamp replacement
- Excellent long-distance visibility with strong flashing signal diffusion
- Flashing rate: 60-80 flashes/min

SNES Bulb Revolving Warning Light

Model number	Voltage	Current	Bulb			Sound pattern/ dB	Certificates	Weight	Color
			Spec	Standard	Parts no				
SNES	DC12V	1.766A	12V15W	G23 15S	17	· Warning sound(Buzzer) : 105dB		3.70kg	● R-Red
	DC24V	1.044A	24V15W	G23 15S	18			3.70kg	● A-Amber
	AC110V	0.288A	12V15W	G23 15S	17			4.40kg	● G-Green
	AC220V	0.144A	12V15W	G23 15S	17			4.40kg	● B-Blue

- Excellent signal light diffusion effect with multi-faced reflector
- Revolving speed: 120-140RPM



SNES-S

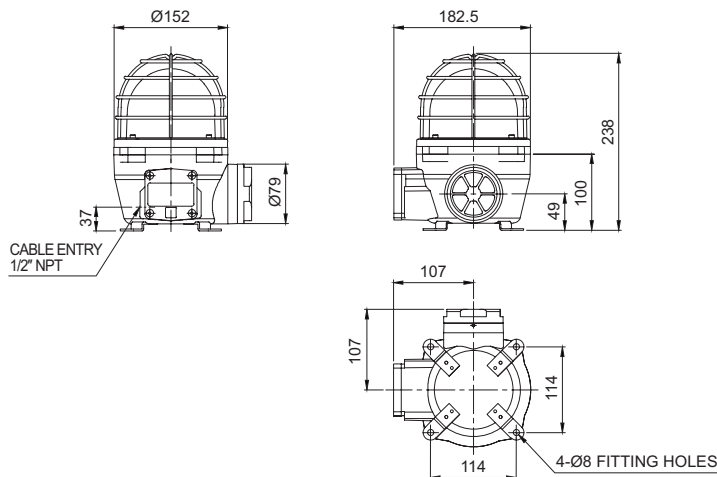


SNES

Technical Diagram

·SNESLR / SNESL / SNES-S / SNES

Units: mm



Ordering Specification

SNES	-	220	-	R	-	IECEx
[Model number]		[Voltage]		[Color]		[Certificates]
SNESLR		12-DC12V		● R-Red		IECEx
SNESL		24-DC24V		● A-Amber		ATEX
SNES-S		110-AC110V		● G-Green		KCs
SNES		220-AC220V		● B-Blue		TIIS(SNESLR) CCC(NEPSI)

Customization

- Explosion proof cable gland attached type available (Standard type does not come with explosion proof cable gland)
- 2 ways cable entry
- M20x1.5 cable entry