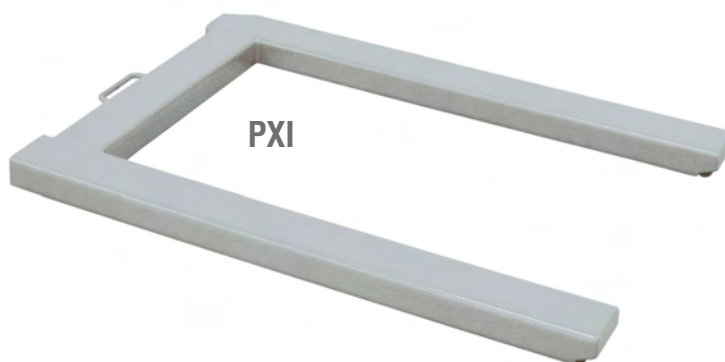
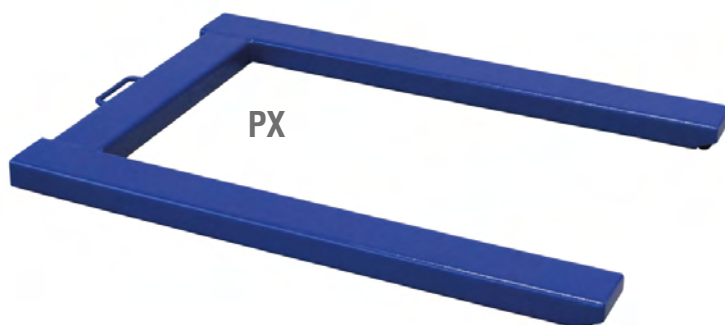




Capacity up to 3000 kg

- **PX:**
 - Painted steel structure.
 - 4 load cells FTP 1000 kg
AISI 420 stainless steel - IP68 (on request: IP69K).
 - Galvanized steel adjustable feet, self-centering on sphere.
- **PXI:**
 - AISI 304 stainless steel structure.
 - 4 load cells FT-P 1000 kg
17-4 PH stainless steel - IP68 (on request: IP69K).
 - AISI 304 stainless steel adjustable feet, self-centering on sphere.
- IP67 stainless steel junction box with equalization board and 6-wire output cable (length: 5 m).
- Carrying handle and wheels.



CAPACITY	kg	ACCURACY CLASS C3		DIMENSION (mm)	NET WEIGHT (kg)	CODE
3000		•	•	1250 x 840	38	PX
3000		•	•	1250 x 840	38	PXI

ON REQUEST

CERTIFICATIONS

- OIML R60 C3
- Equivalent of the CE marking for the United Kingdom

CERTIFICATIONS ON REQUEST

Declaration of conformity + IP69K marking protection rating
*Water protection in case of high-pressure or steam jet cleaning (test: pressurized water is sprayed from a distance of max 150 mm)
 Water pressure: 100 bar; temperature: 80 °C; test duration: 250 seconds (reference standard: DIN 40050-9)*

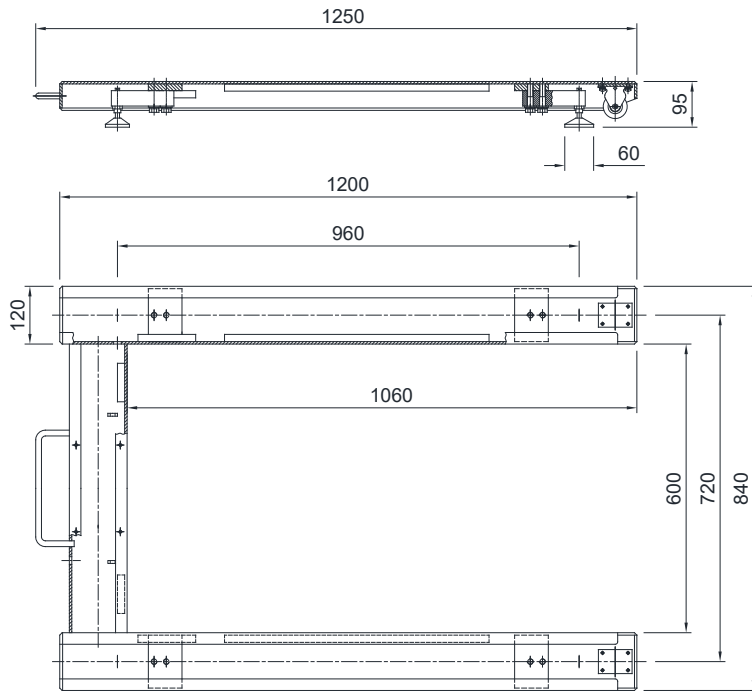
ATEX II 2GD (zone 1-2-21-22)

IECEx (zone 1-2-21-22)

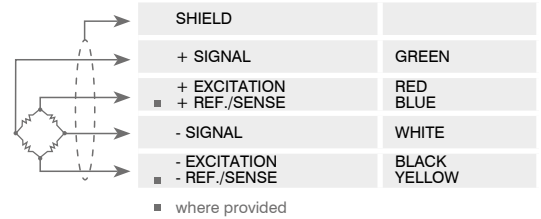
PX-I

PALLET SCALE - 4 LOAD CELLS IP68



DIMENSIONS (mm)



ELECTRICAL CONNECTIONS



OPTIONS ON REQUEST

DESCRIPTION	CODE
 <p>Stainless steel indicator-holder column (Ø38 mm, height 700 mm). Painted steel mobile pedestal.</p>	<p>COLONNAM + MOBILCOLONNA</p> <p>COLONNAM +MOBILCOLONNAINOX</p>
 <p>Non-standard capabilities.</p>	

The Company reserves the right to make changes to the technical data, drawings and images without notice.