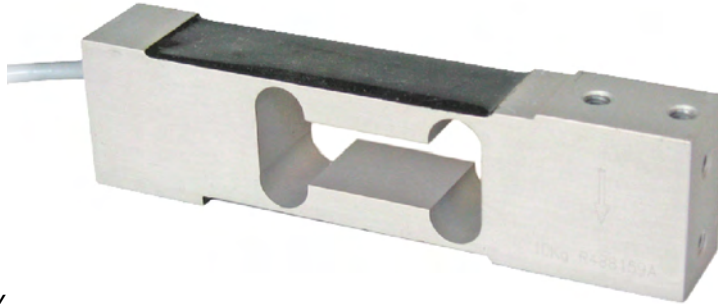
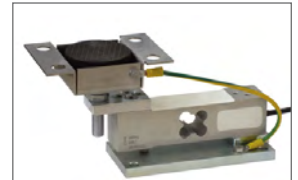




Capacity from 10 kg to 100 kg



MOUNTING KIT



T8AZL

Can be used for systems with at least 3 supports

- ALUMINUM ALLOY
- COMBINED ERROR  $\leq \pm 0.02\%$  (0.017% C4)
- IP65 PROTECTION RATING

CAPACITY	kg	ACCURACY CLASS				PLATFORM (mm)	NET WEIGHT (kg)
		C3	C4				
10		•	–	•	•	400 x 400	0.4
15		•	•	•	•	400 x 400	0.4
20		•	•	•	•	400 x 400	0.4
30		•	•	•	•	400 x 400	0.4
50		•	•	•	•	400 x 400	0.4
100		•	–	•	•	400 x 400	0.4

ON REQUEST

### CERTIFICATIONS



OIML R60 C3



Complies with the Eurasian Customs Union standards



Equivalent of the CE marking for the United Kingdom



Complies with United Kingdom regulations for legal for trade use

#### CERTIFICATIONS ON REQUEST



Linearity test



ATEX II 1GD (zone 0-1-2-20-21-22) (CE - UK CA)



IECEX (zone 0-1-2-20-21-22)



OIML R60 C4



Complies with the Eurasian Customs Union standards for use in potentially explosive atmospheres

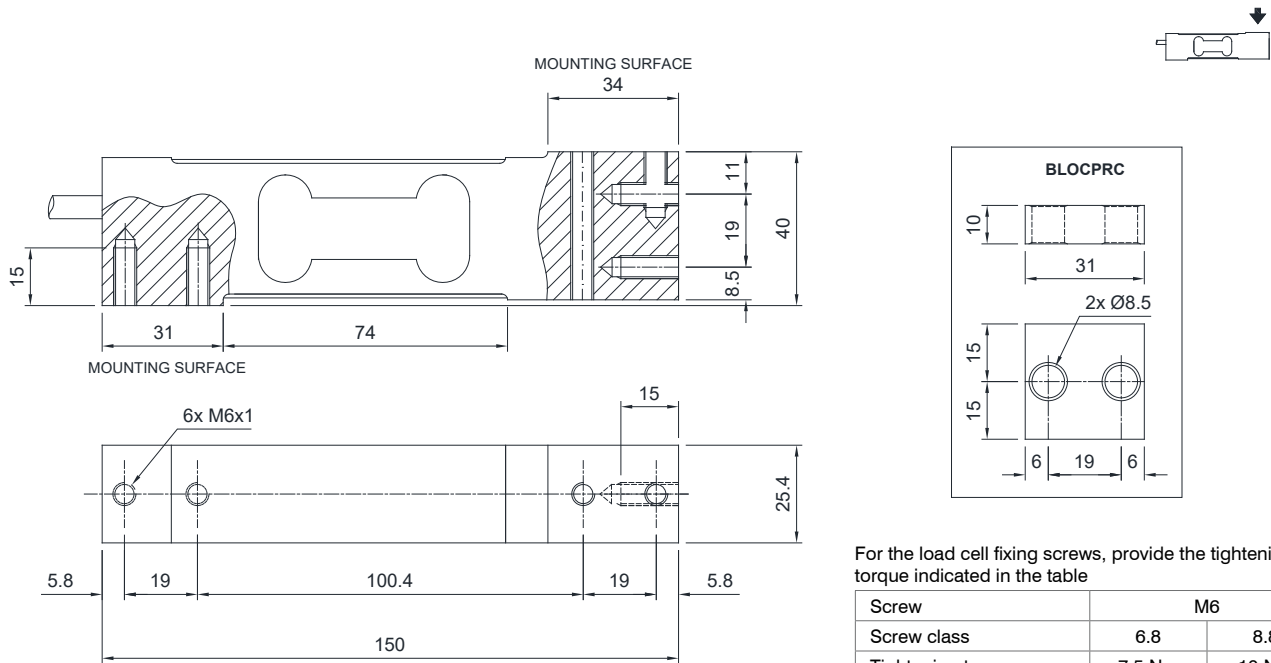


NTEP - Complies with United States regulations for legal for trade use

### COMPLEMENTARY ACCESSORIES

	DESCRIPTION	CODE
	Stainless steel drawn block.	BLOCPRC

### DIMENSIONS (mm)



For the load cell fixing screws, provide the tightening torque indicated in the table

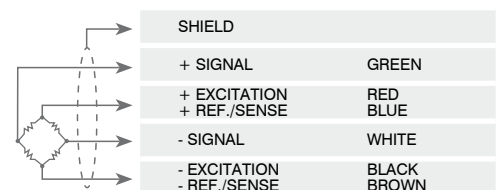
Screw	M6	
	Screw class	6.8
Tightening torque	7.5 Nm	10 Nm

### TECHNICAL FEATURES

Material	Aluminum alloy	
OIML R60 Accuracy class • Verification intervals	C3 • 3000	C4 • 4000
Nominal load (E max)	10 - 15 - 20 - 30 - 50 - 100 kg	15 - 20 - 30 - 50 kg
Minimum verification interval (V min)	E max / 12000	E max / 15000
Combined error	≤ ±0.02%	≤ ±0.017%
Protection rating	IP65	
Rated output	2 mV/V ± 10%	Input resistance 409 Ω ± 6
Temperature effect on zero	0.0017% °C	Output resistance 350 Ω ± 3
Temperature effect on span	0.0014% °C	Zero balance ≤ ±1%
Compensated temperature range	-10 °C / +40 °C	Insulation resistance ≥ 5000 MΩ
Operating temperature range	-35 °C / +65 °C	Safe overload (% of full scale) 150%
Creep at nominal load in 30 minutes	0.02%	Ultimate overload (% of full scale) 300%
Max supply voltage without damage	18 V	Deflection at nominal load 0.5 mm

### ELECTRICAL CONNECTIONS

Cable length	6 m
Cable diameter	5 mm
Cores	6 x 0.20 mm <sup>2</sup>



The Company reserves the right to make changes to the technical data, drawings and images without notice.