

SCS 35 / SCR 35

Microlectra bv.



www.microlectra.nl



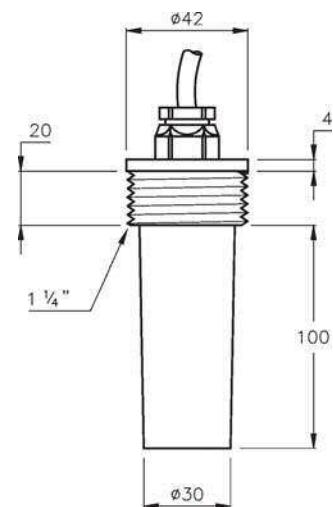
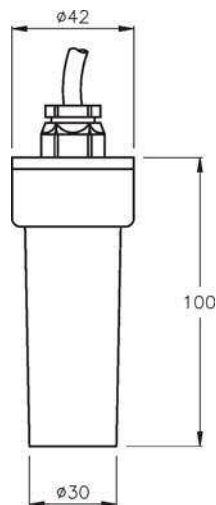
info@microlectra.nl

CAPACITIVE SENSORS



Model	SCS 35	SCR 35
Application	Capacitive sensores are designed for working with the relay PNAS/T as max. and/or min. level control with products like grain, dust, granulates, chemicals, etc.	
Body material	Polyamide 6.6	
Colour	Red	
Process connection	Thread 1" 1/4 G	
Electric connection	Two wires cable, length 5 m.	
Voltage	Max. 30 V.	
Frequency	Max. 500 Hz.	
Consumption	Activated: Max. 5 mA. Deactivated: Max. 15 mA.	
Sensitivity	Adjustable, by means of a 15 turns potentiometer.	
Operat. Temperature	-15..+70 °C.	
Action Distance	4..12 mm. Led indicating sensor activated.	
Pressure	10 Kg/cm ² at + 60 °C.	
Cable Length	< 200 m.	
Protection	IP 65.	

Dimensions



Microlectra bv.

Augustapolder 12. 2992 SR Barendrecht. The Netherlands.
www.microlectra.nl info@microlectra.nl