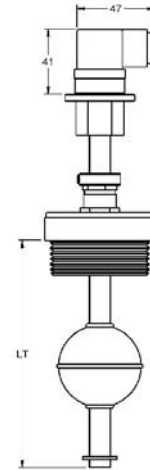


IMN TAC INOX

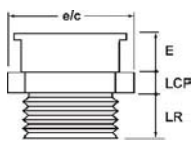
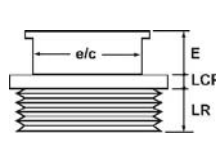
MAGNETIC LEVEL SWITCH



Process connection	By nipple. See table 1.
Differential character	Adjustement in height.
Guide tube	SS AISI316 (1.4401), Ø 12 mm.
Length	100..3500 mm.
Float	FEI601M13 (FEI-1), Ø 52x52 mm. SS AISI316 (1.4401). Other options according to table 2.
Number of contacts	1..3
Type of contact	NO: 120 WVA / 250 VAC-3A · NC-NO/NC: 60 WVA / 230 VAC-1A
Distance between contacts	> 40 mm.
Electrical connection	By connector DIN43650.
Temperature	-40..+125°C
Installation	The group housing-tube-float can be adjusted in height. To do this, unscrew lightly the cable gland placed in the upper side of the nipple, move the group up to the required position and screw tight the cable gland to fixit. The distance between contacts remains unchanged.
Mounting position	Vertical, ±30°
Protection	Standard: IP 65. Other options according to table 3.

Table 1: Process connection

Thread	1"1/2 G	2" G
Material	SS AISI316 (1.4401)	
e/c (mm)	55	64
LR (mm)	21	26
LCP (mm)	17	

Ordering code

IMN TAC INOX - V **P** **F** **L** **C** **N**

Version	Standard	1
	Protected	2
	Insulated	3
Connect. process	1"1/2 G	08
	2" G	10
Float	FEI601M13	25
	FCI602M13	14
Total length (LT) (mm)		
Number of contacts	1-3	
Number of floats	1-2	

Table 2: Floats

Model	FCI602M13	FEI601M13
Material	SS AISI316 (1.4401)	
Dimension (mm)	Ø 44x63	Ø 52x52
Pressure (kg/cm ²)	15	30
Density (g/cm ³)	e > 0,75	e > 0,76
FS / FH (mm)	15,8 / 47,2	12,5 / 39,5








Table 3: Cables

Standard	Normal construction, without any internal filling.
Protected	Filled with anticondensation gel.
Insulated	Filled with epoxy resin, flexible.

To compose the reference, choose one option of each cell.

 Example: **IMN TAC INOX V1 P08 F14 L500 C2 N1**